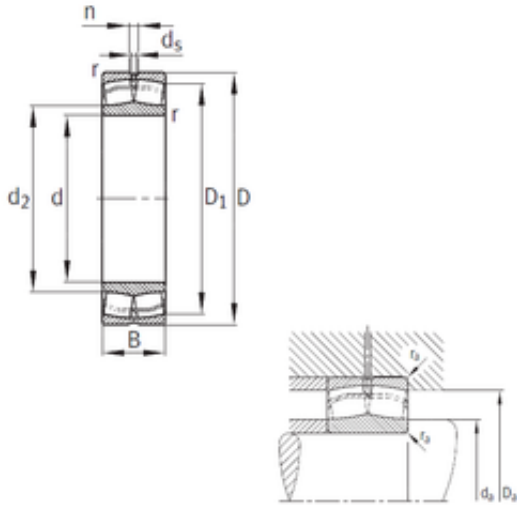




Jinan Guotai Bearing Co., Ltd



200 mm x 360 mm x 128 mm FAG 23240-B-MB Spherical Roller Bearings

Bearing No. 23240-B-MB

Size	200x360x128 mm
Bore Diameter	200 mm
Outer Diameter	360 mm
Width	128 mm
d	200 mm
D	360 mm
B	128 mm
C	128 mm
n	17,7 mm
d2	– mm
r min.	4 mm
D1	307,5 mm
da min.	217 mm
Da max.	343 mm
ra max.	3 mm
d5	9,5 r/min
Weight	60,5 Kg
Basic dynamic load rating (C)	1660 kN
Basic static load rating (C0)	2750 kN
Fatigue load limit (Pu)	163
Reference speed	980 r/min
Limiting speed	1 500 r/min
Calculation factor (e)	0,37
Calculation factor (Y0)	1,79
Calculation factor (Y1)	1,83

23240-B-MB Bearing 2D drawings and 3D CAD models



Jinan Guotai Bearing Co., Ltd